



HGL Hydrophones

The HGL Series hydrophones were designed to meet or exceed recommendations of section 3.3.2 of the AIUM Acoustic Output Measurement Standard (May 1998). They have an exceptionally flat sensitivity in a small and sturdy package. These hydrophones are excellent in-house standards for ultrasonic acoustic intensity measurements, and for general purpose field mapping.

Features

- High sensitivity
- Small effective aperture
- Broadband
- Solid construction
- Flawless integration with AH preamplifiers
- Flat (+/-3dB) 250 KHz to >> 20 MHz

Technical Specifications

	HGL-0085	HGL-0200	HGL-0400	HGL-1000
Frequency range (±3dB)	0.25 to 40 MHz		0.25 to 20 MHz	
Electrode aperture (µm)	85	200	400	1000
* EOC Nominal Sensitivity [nV/Pa]	8	45	160	510
Acceptance angle (-6dB at 5 MHz)	>150°	100°	30°	20°
Capacitance	30 pF			
Max. Operating Temperature	50 °C			

* EOC ("end of cable") is the open-circuit output sensitivity of the hydrophone. Calibration with an amplifier can be determined from the gain and input impedance of the amplifier.

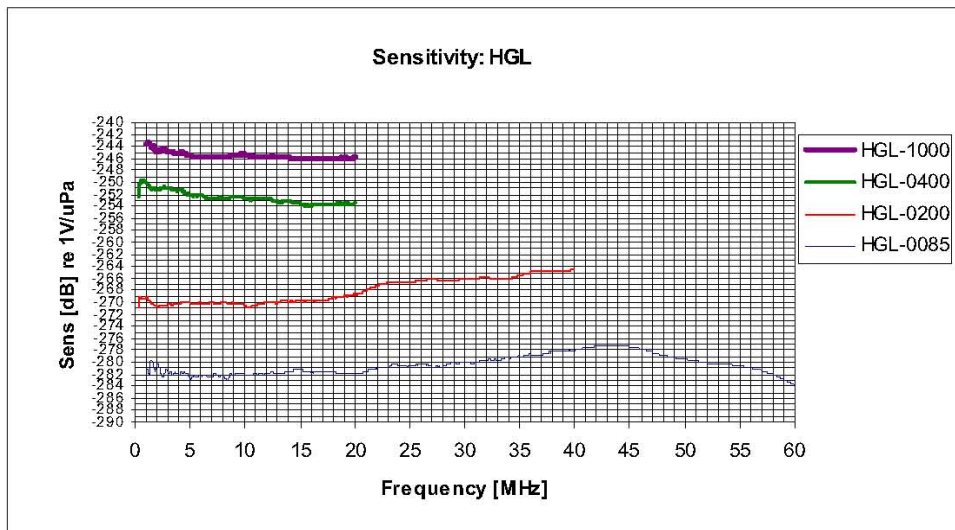
Provided with traceable calibration 1-20 MHz at 50 KHz intervals. For other calibrations available visit our web site.

Specifications are subject to change without notice.

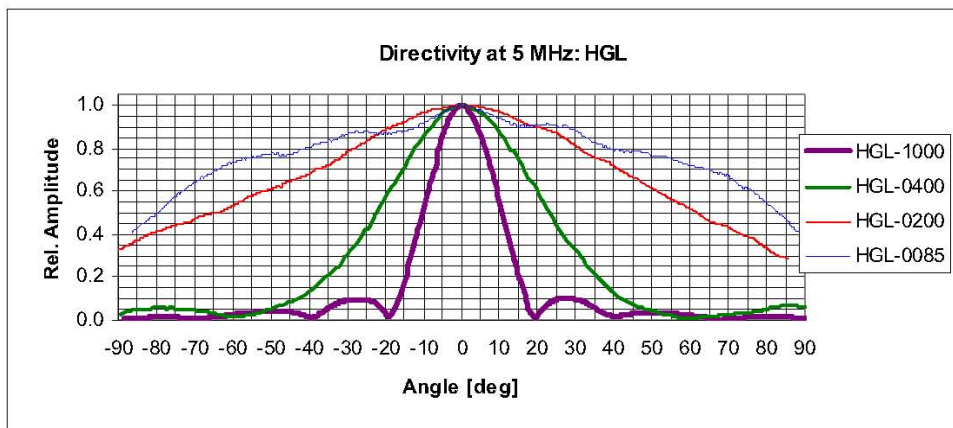


HGL Hydrophone

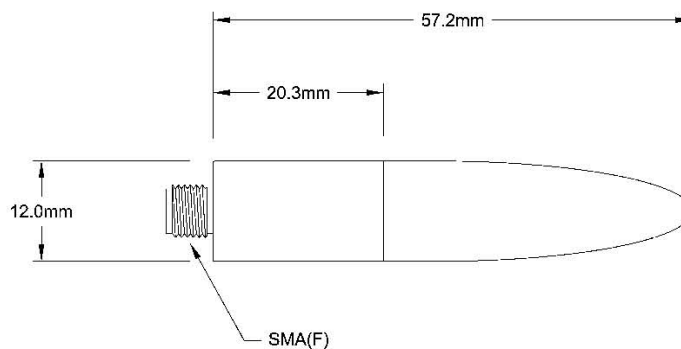
Typical Sensitivity Plot



Typical Directivity Plots



Mechanical Specifications



592 Weddell Drive, Suite 7, Sunnyvale, CA 94089, USA | Tel: 408.745.0383 | Fax: 408.745.0956 | www.ondacorp.com

取扱店:



ゼネレクス GENEREX
有限会社 エヴィック産業
 211-0016 川崎市中原区市ノ坪 107
 Tel 044-712-6770 Fax 044-411-2855
 E-Mail: s-mikami@generex.co.jp
<http://www.generex.co.jp>